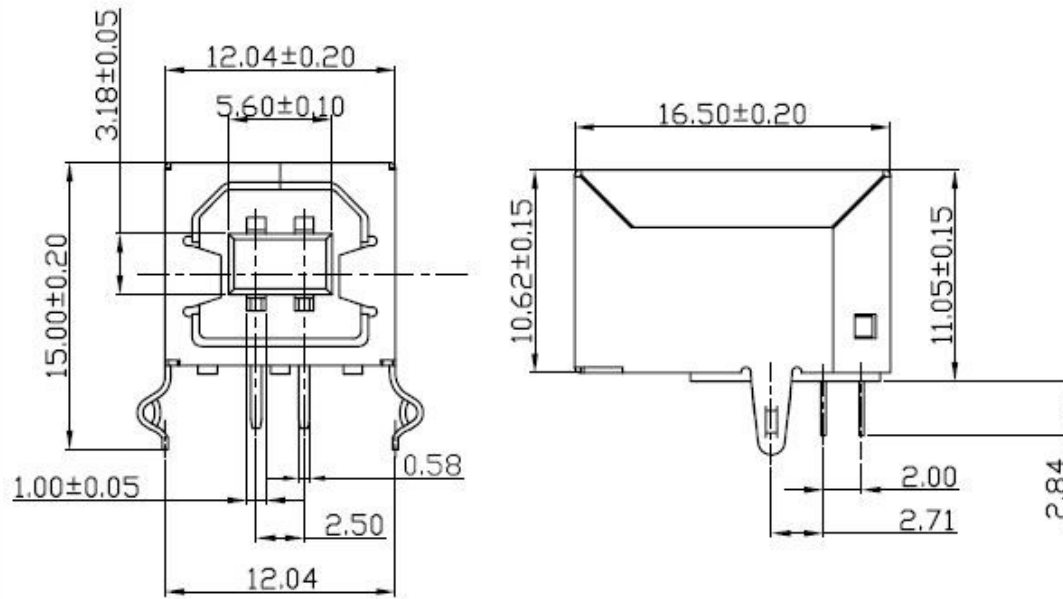
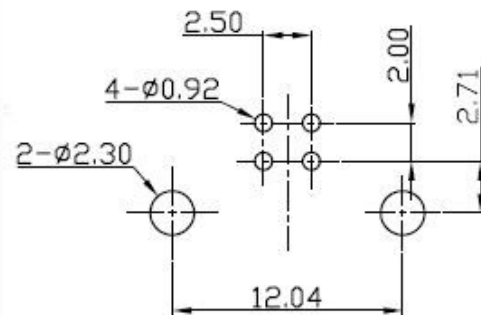


RoHS
Compliant

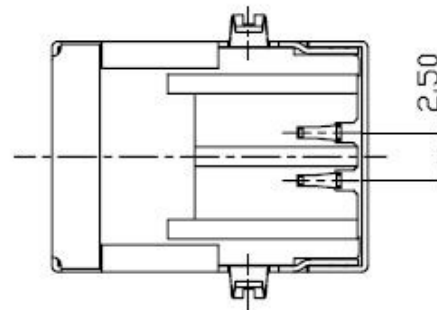


Specification

- 1.Voltage Current Rating:1AMP.30V AC
- 2.Insulation Resistance:1000 **MOhms Min.**
- 3.Contact Resistance:30 **mOhms Max.**
- 4.Dielectric Withstanding Voltage:500V AC
- 5.Temperature Range:-20°C to +60°C
Remark:48Hours Guarantee by -30°c storage temperaturee
- 6.Mechanical Characteristics:
Insertion Force:35 Newtons maximum
Extraction Force:10 Newtons minimum



RECOMMENDED P.C.B HOLE LAYOUT
TOP VIEW(TOLERANCE:±0.10)



Part No.: USB B
Description: USB B Connector Side Entry

PRAN ELECTRONICS PVT. LTD
VADODARA, 390010.
INDIA.

Rev. 00: 5/3/2007